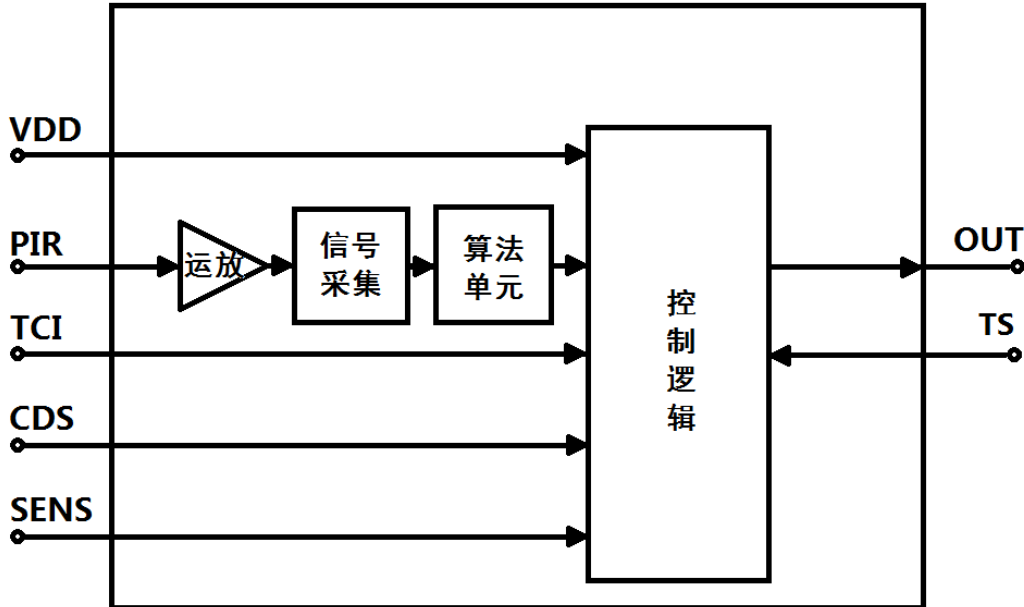


IC

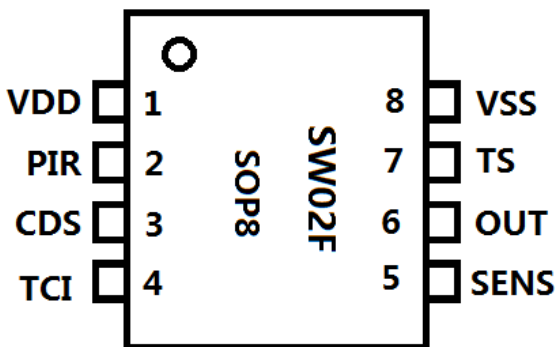
PIR
SW02F

IC

IC



SW02F SOP8



PIR
SW02F

IC

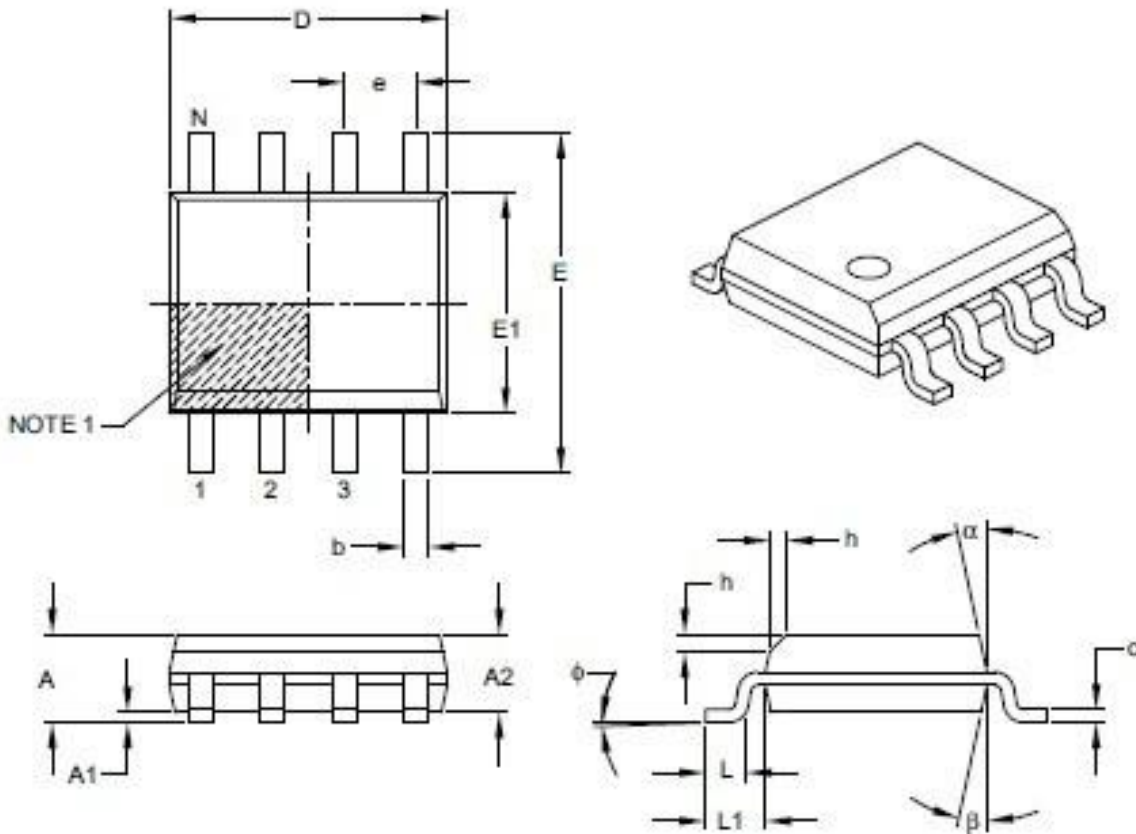
1	VDD	
2	PIR	PIR
3	CDS	CDS VDD*1/3 IC VDD*1/3 IC R2 R2
4	TCI	OUT SW02F
5	SENS	0~0.1V 3.3V 1.7V~2.5V
6	OUT	15
7	TS	TS 13 TCI TS VSS TCI
8	VSS	

	V _{DD}	2.4	3.3	3.6	V	
	I _{DD}		198		uA	VDD = 3.3V TS
V _{OUT}	I _{OH}			10	mA	VDD = 3.3V V _{OL} = 0.3V
	Temp.	-40	25	85		
	Temp.	-65	25	150		

PIR
SW02F

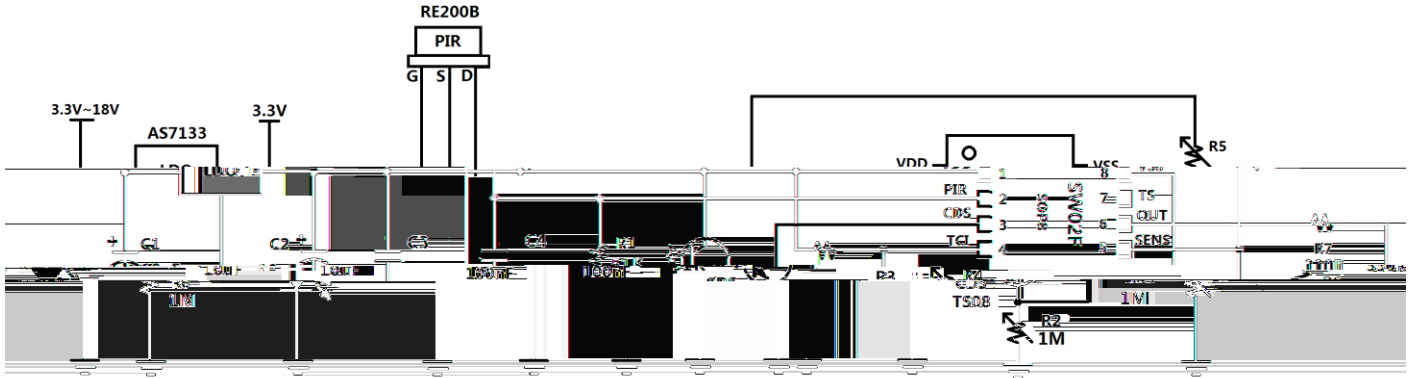
IC

SOP8



Dimension Limits	Units	MILLIMETERS		
		MIN	NOM	MAX
Number of Pins	N	8		
Pitch	e	1.27 BSC		
Overall Height	A	-	-	1.75
Folded Package Thickness	A2	1.25	-	-
Standoff ϕ	A1	0.10	-	0.25
Overall Width	E	6.00 BSC		
Folded Package Width	E1	3.90 BSC		
Overall Length	D	4.90 BSC		
Pin Height (optional)	h	0.25	-	0.50
Pin Length	L	0.40	-	1.27
Pin Width	L1	1.04 REF		
Pin Angle	ϕ	0°	-	8°
Pin Thickness	c	0.17	-	0.25
Pin Width	b	0.31	-	0.51
Pin Draft Angle Top	α	5°	-	15°
Pin Draft Angle Bottom	β	5°	-	15°

IC



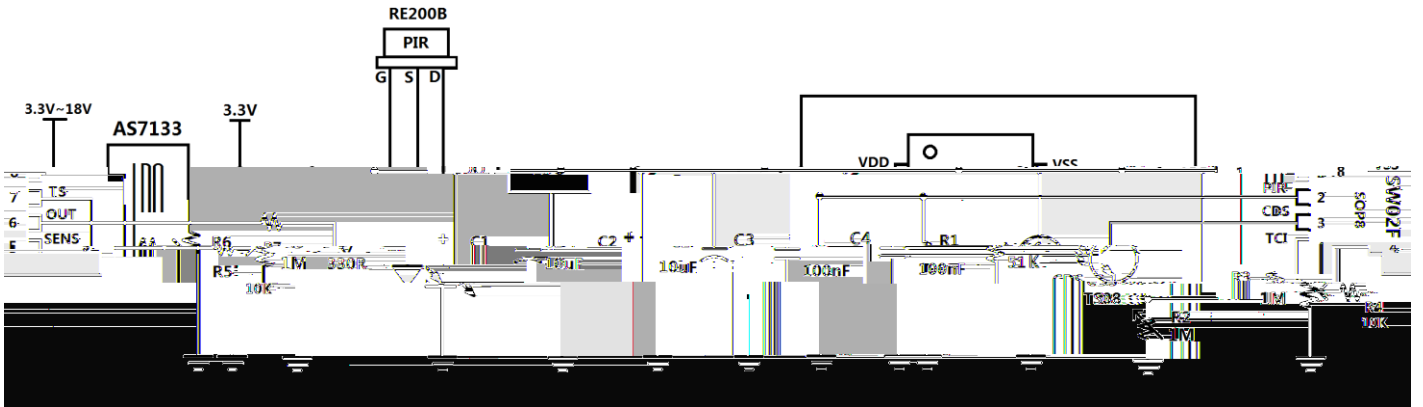
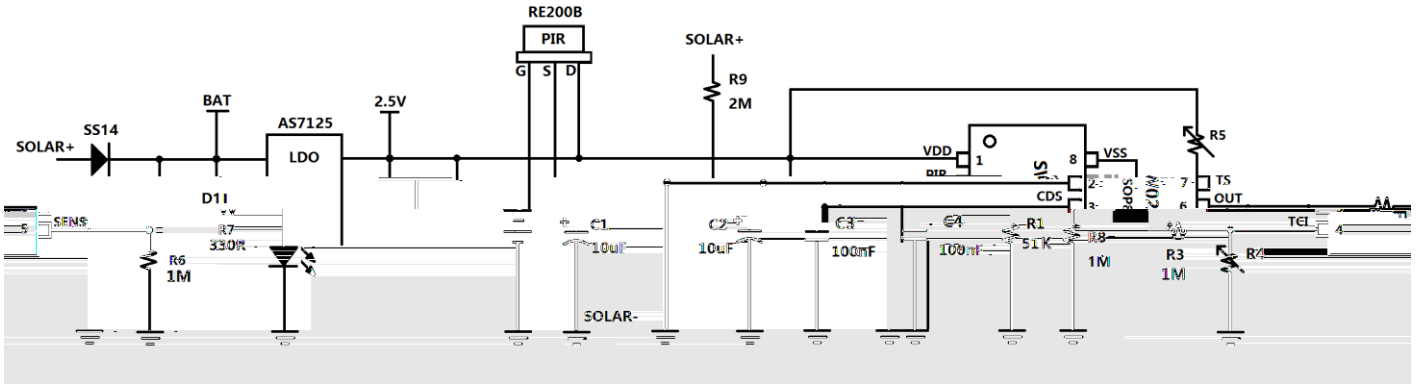
TS

R4

13

R4	
	1
2M	1
1M	5
910K	10
820K	15
750K	20
680K	30
560K	45
470K	60
390K	90
300K	120
200K	180
100K	300
0	480

IC



TS VSS R4

TCI	TCI	VDD	600
TCI	TCI	VSS	2

IC

1 PIR SENSER SW02F

2 PCB

3

4