

PIR
<b>AS081</b>

IC

AS081 CMOS PIR Passive Infra-Red  
Mixed-mode  
AS081 PIR

PIR

PIR

50uA

LED

T1  
L1 PWM LED

2262

LED

SSOP16

RoHS

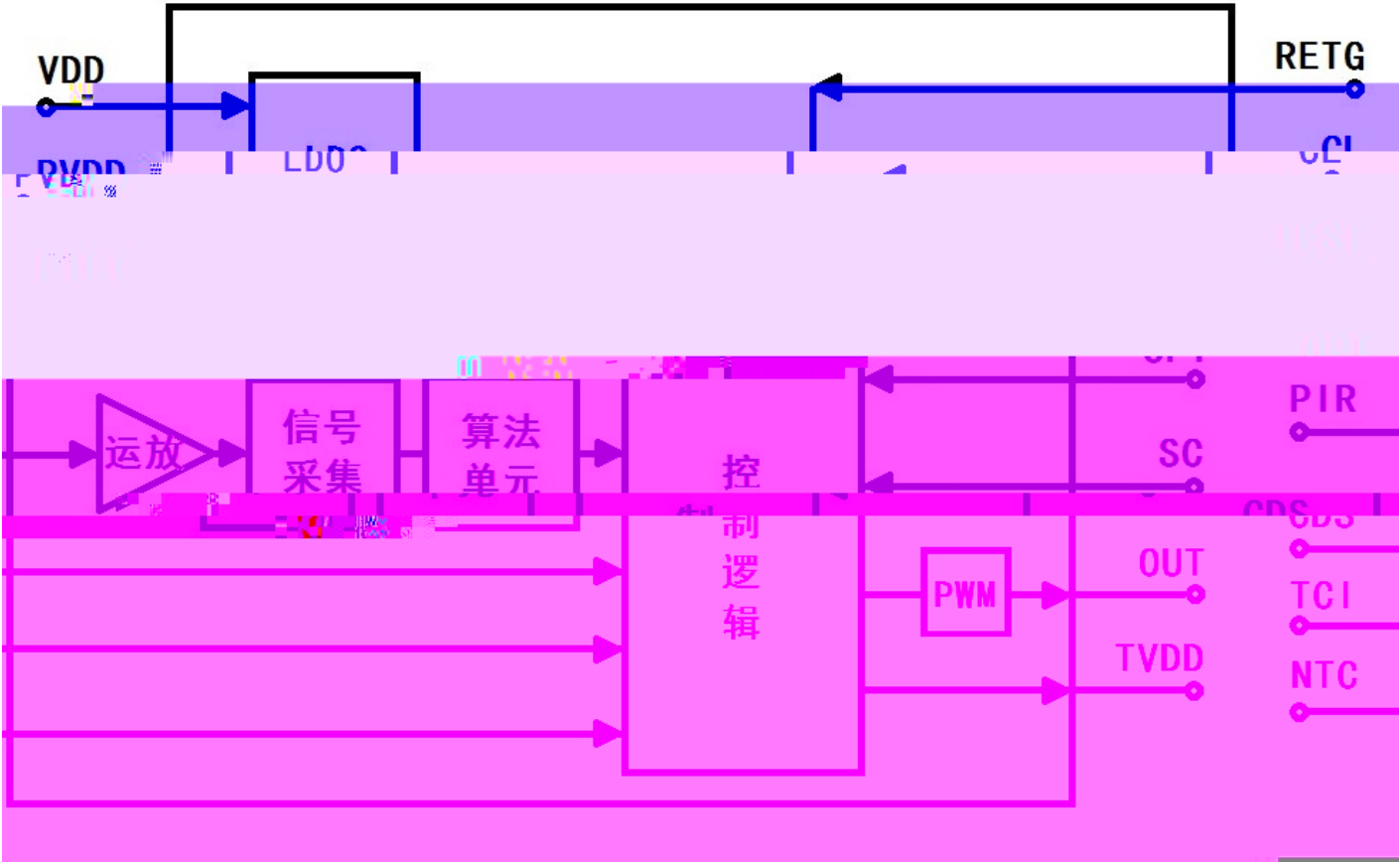
SONY SS-00259 Apple

069-1857 Dell A00-00

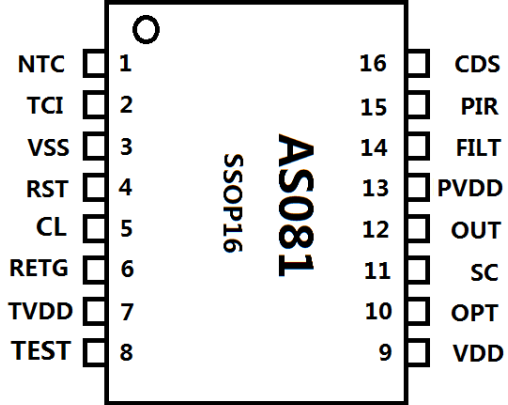
PIR
<b>AS081</b>

IC

IC



AS081 SSOP16



1	NTC	TI
2	TCI	12
3	VSS	
4	RST	
5	CL	VSS
6	RETG	S1 T1 VSS L1
7	TVDD	

PIR
<b>AS081</b>

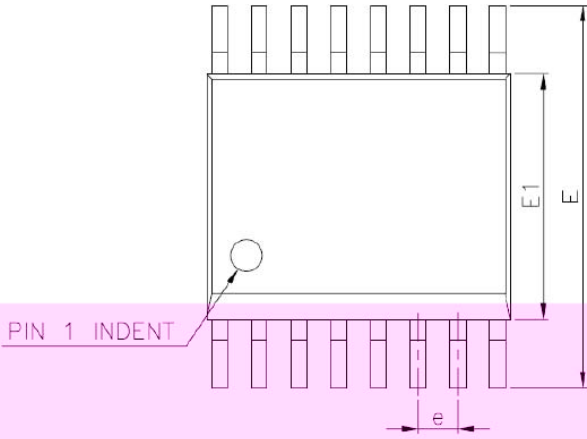
IC

	V <sub>DD</sub>	2.8	3.3	3.6	V	—
	I <sub>DD</sub>		76	370	uA	VDD = 3.3V
V <sub>OUT</sub>	I <sub>OH</sub>			10	mA	VDD = 3.3V V <sub>OL</sub> = 0.3V
	Temp.	-40	25	85		—
	Temp.	-65	25	150		—

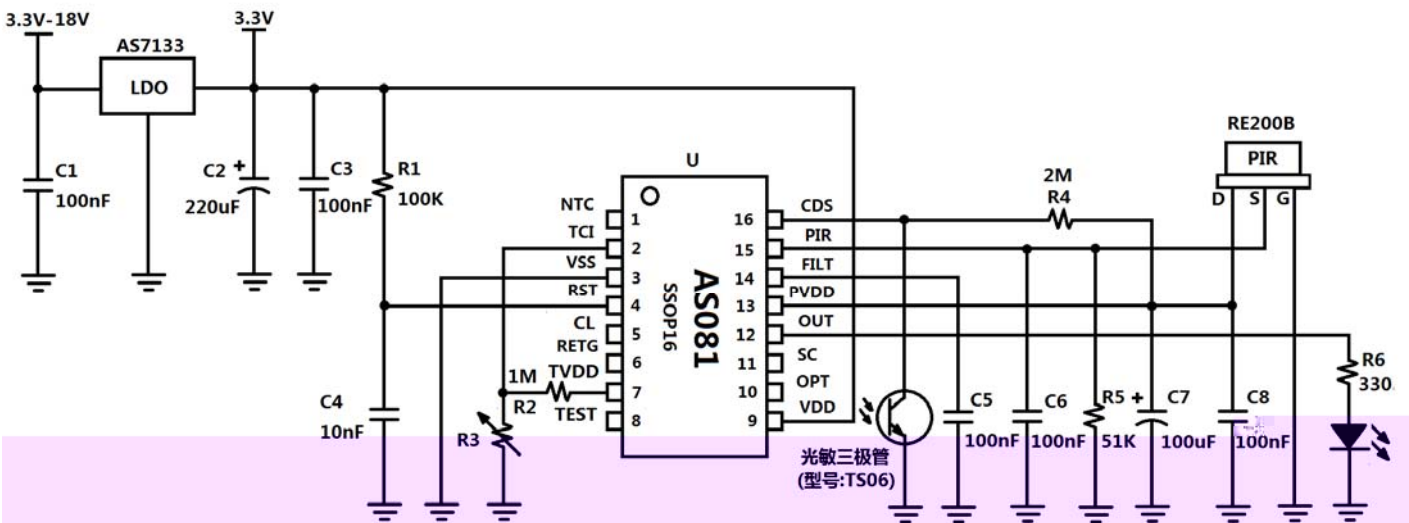
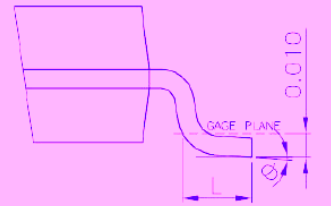
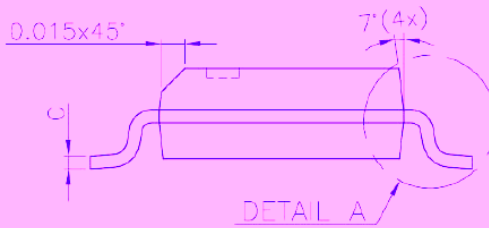
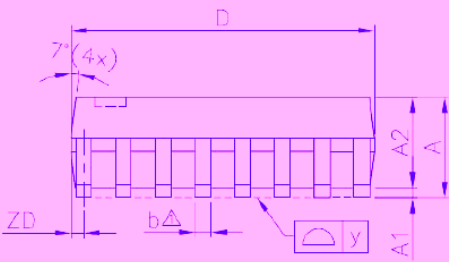
AS081

	SC1	S1	S2	T1	L1
					LED
	76uA	76uA	76uA	76uA	370uA
	IC 5	IC 35	IC 35	IC 35	
					PWM 10% OPT VSS
	RS	0.2	0.2 S1		0.2

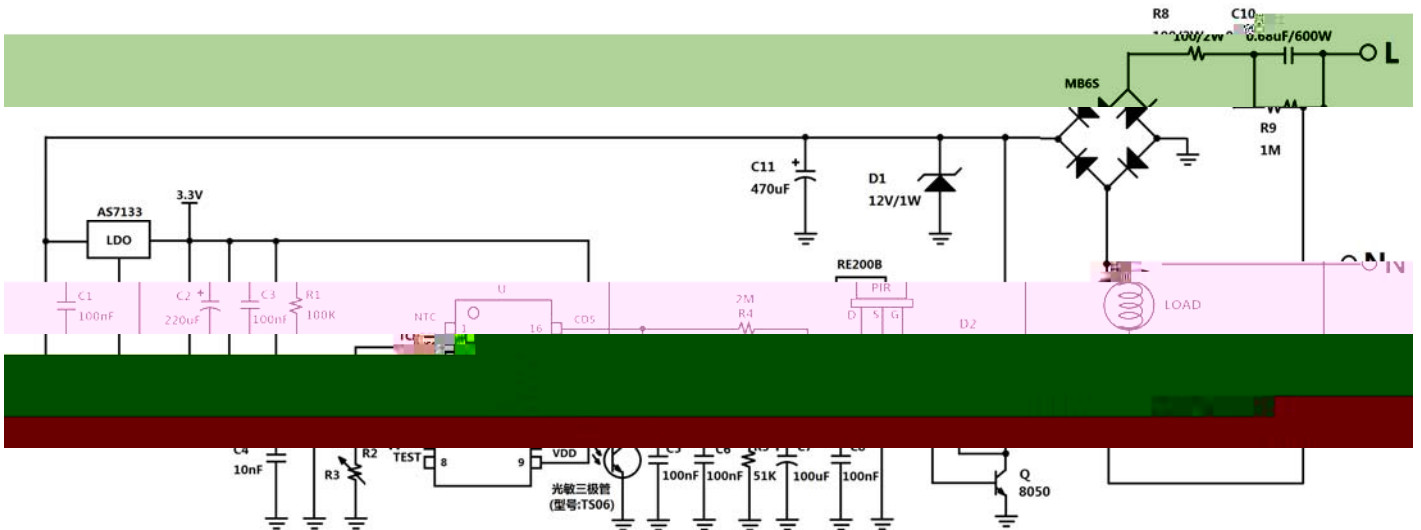
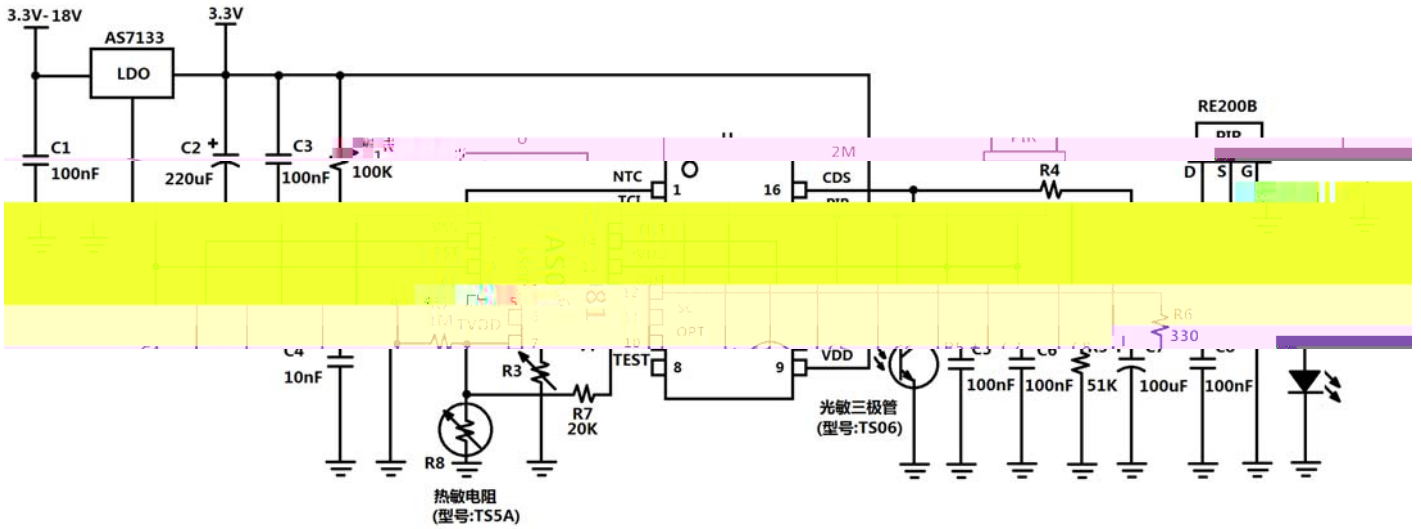
SSOP16



SYMBOLS	DIMENSIONS IN MILLIMETERS			DIMENSIONS IN INCHES		
	MIN	NOM	MAX	MIN	NOM	MAX
A	1.35	1.60	1.75	0.053	0.063	0.069
A1	0.10	0.15	0.25	0.004	0.006	0.010
A2	—	—	1.50	—	—	0.059
b	0.20	—	0.30	0.008	—	0.012
c	0.18	—	0.25	0.007	—	0.010
D	4.80	4.85	5.00	0.189	0.191	0.197
ZD	—	0.20	—	—	0.008	—
E	5.79	5.99	6.20	0.228	0.236	0.244
E1	3.81	3.91	3.99	0.150	0.154	0.157
L	0.41	0.71	1.27	0.016	0.028	0.050
e	—	0.64	—	—	0.025	—
y	—	—	0.076	—	—	0.003
θ	0°	—	8°	0°	—	8°



### T1

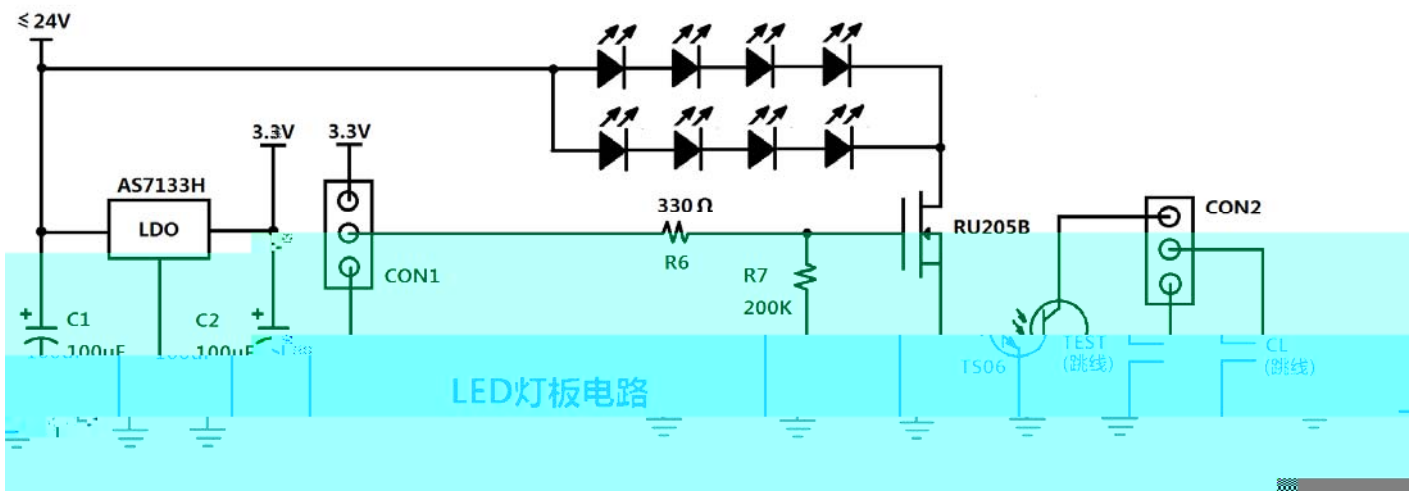
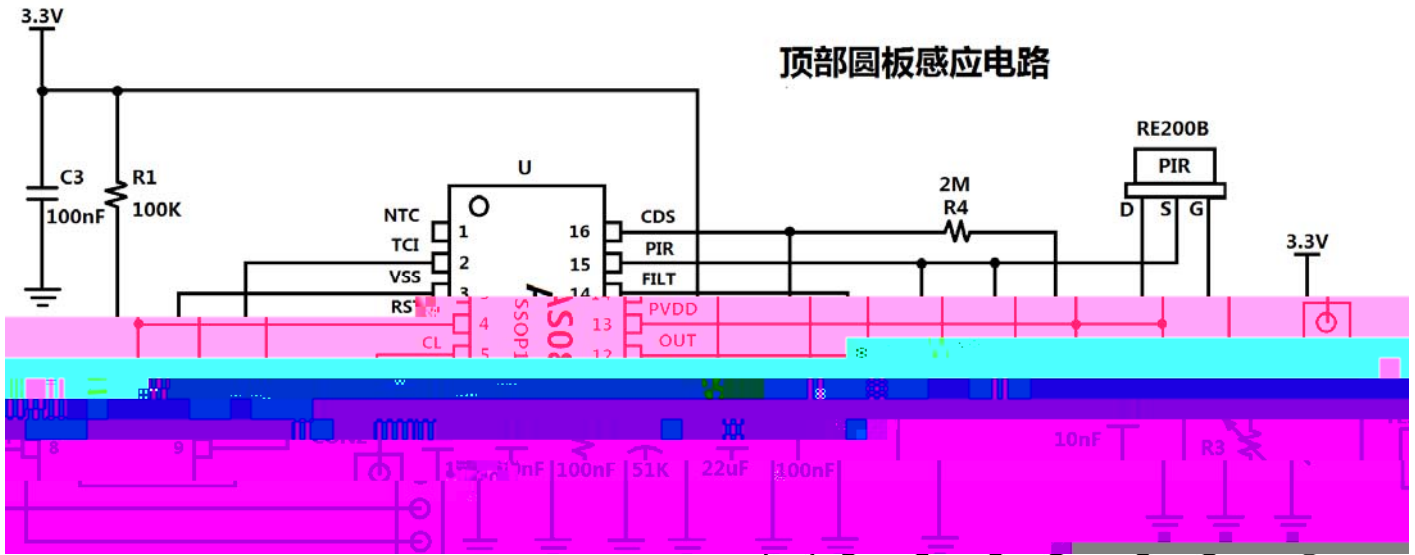


PIR
<b>AS081</b>

IC

**LED**

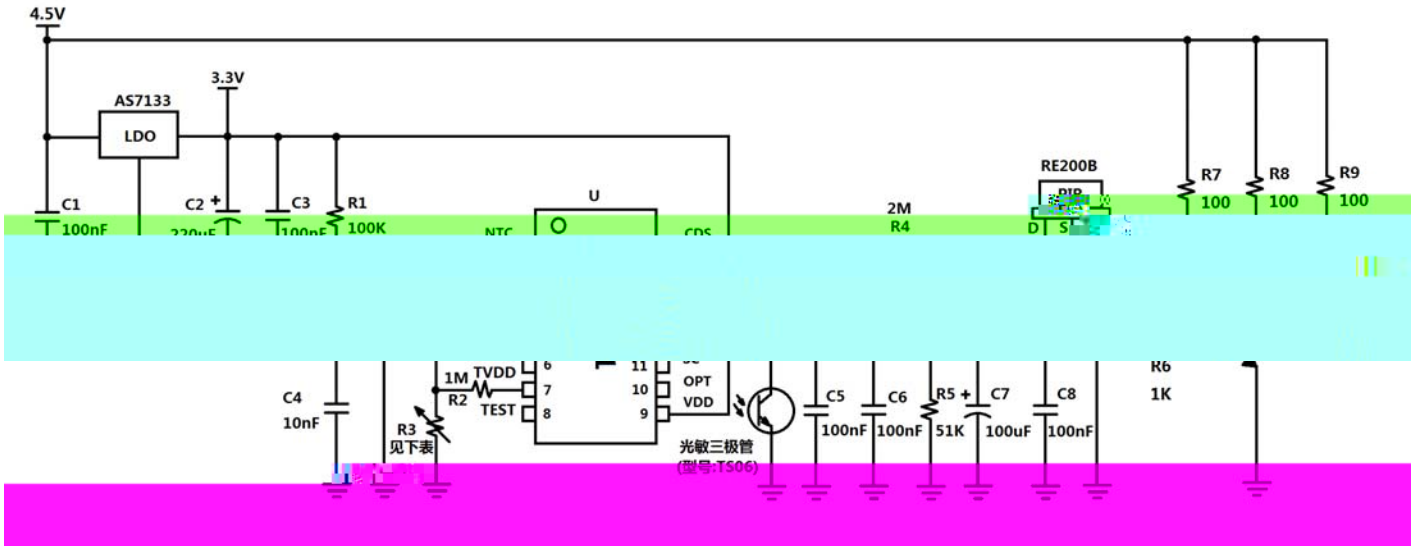
**顶部圆板感应电路**



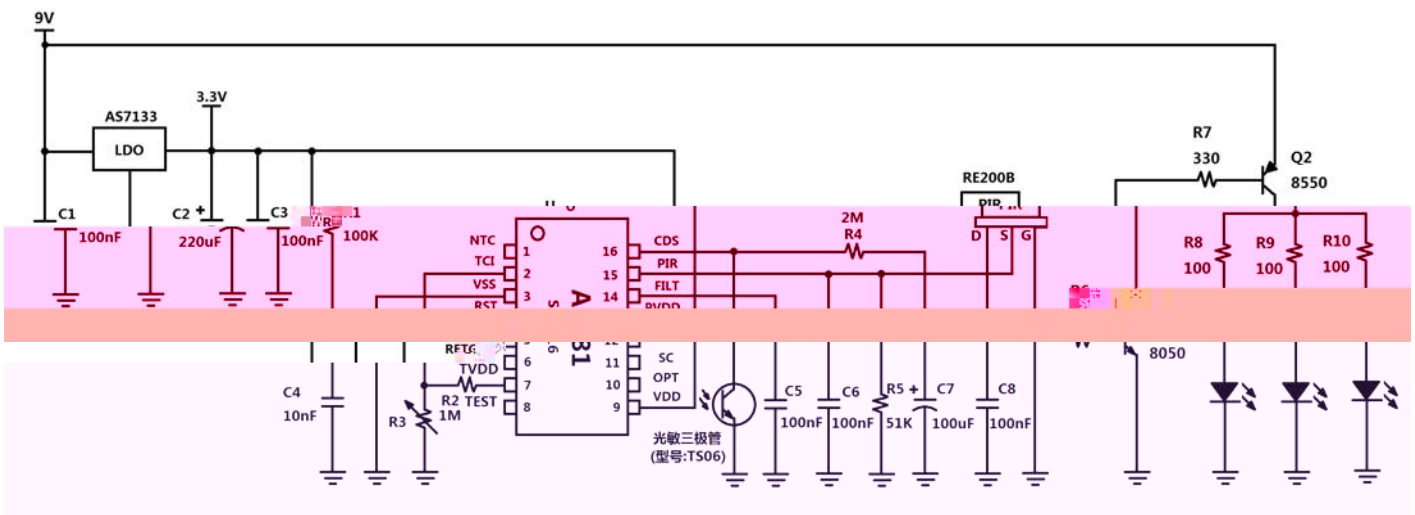
PIR
<b>AS081</b>

IC

**LED**



**LED**





PIR
<b>AS081</b>

IC

**R3**

**12**

R3	
2M	1
1M	5
910K	10
820K	15
750K	20
680K	30
560K	45
470K	60
390K	90
300K	120
200K	180
100K	300

VDD 3.3V

1 C2 47uF~220uF C7 33uF~100uF L1 C7 C7 C2  
2 PIR SENSER AS081

3 PCB

4

5

PIR
<b>AS081</b>

IC

V11 25mm 3.3V + LED

LED

3.3V

