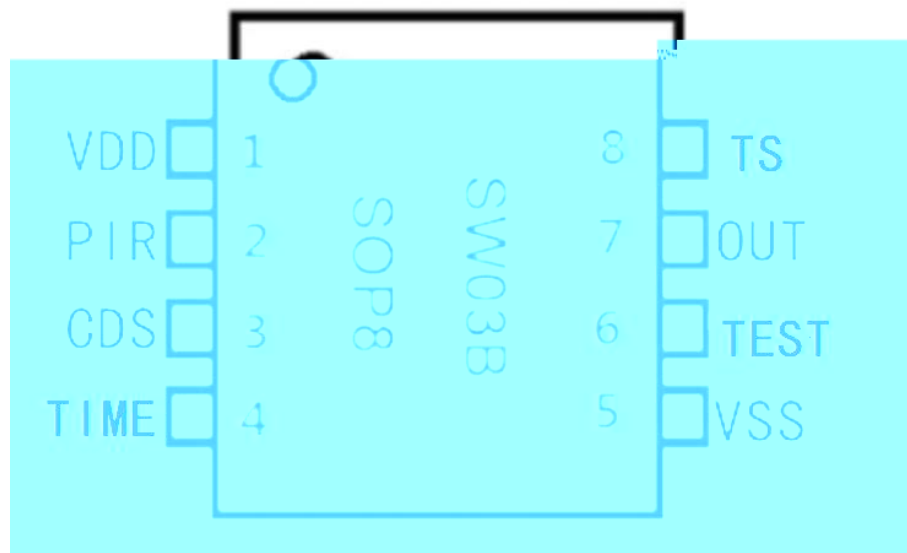
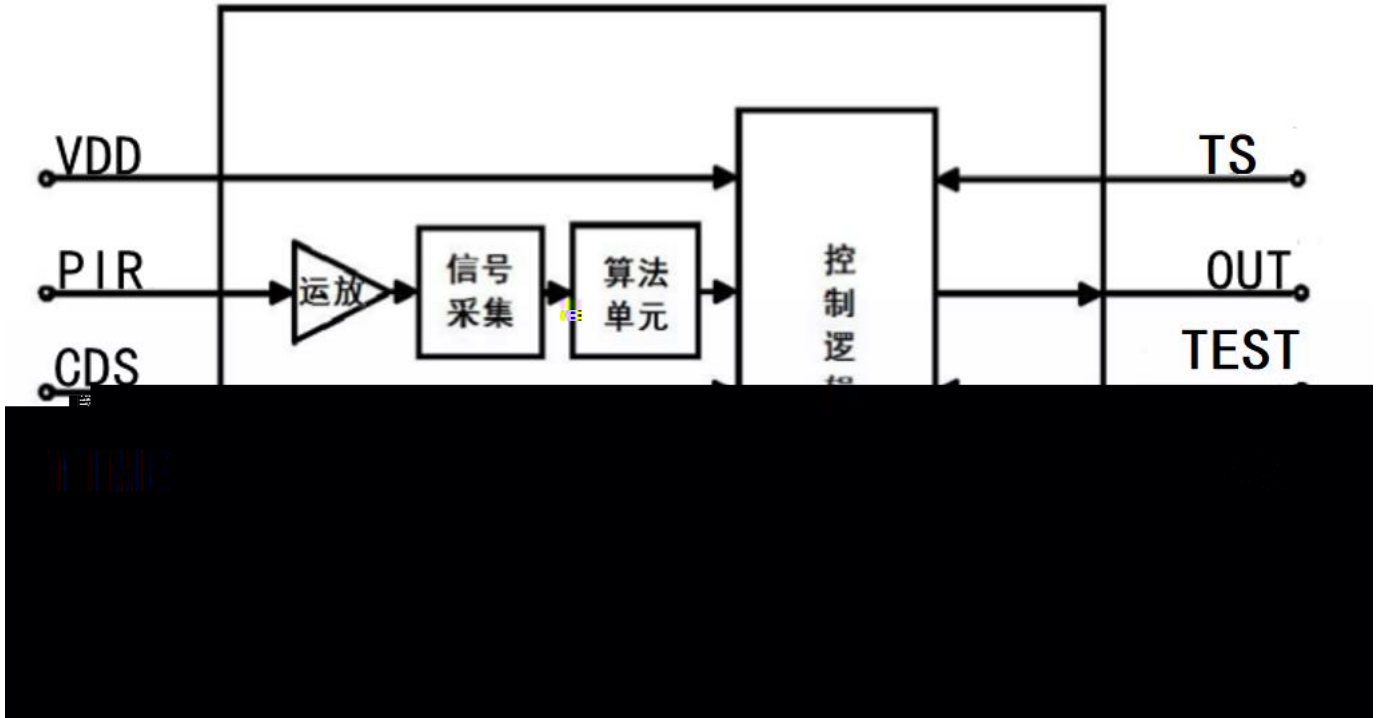

SW03B-V

CMOS

IC

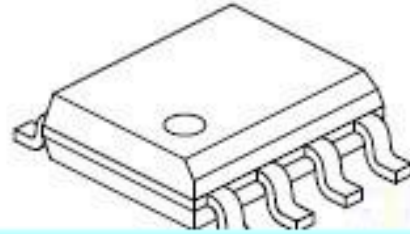
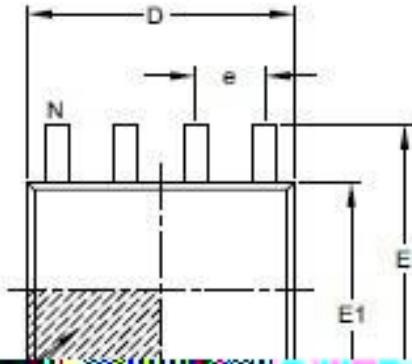


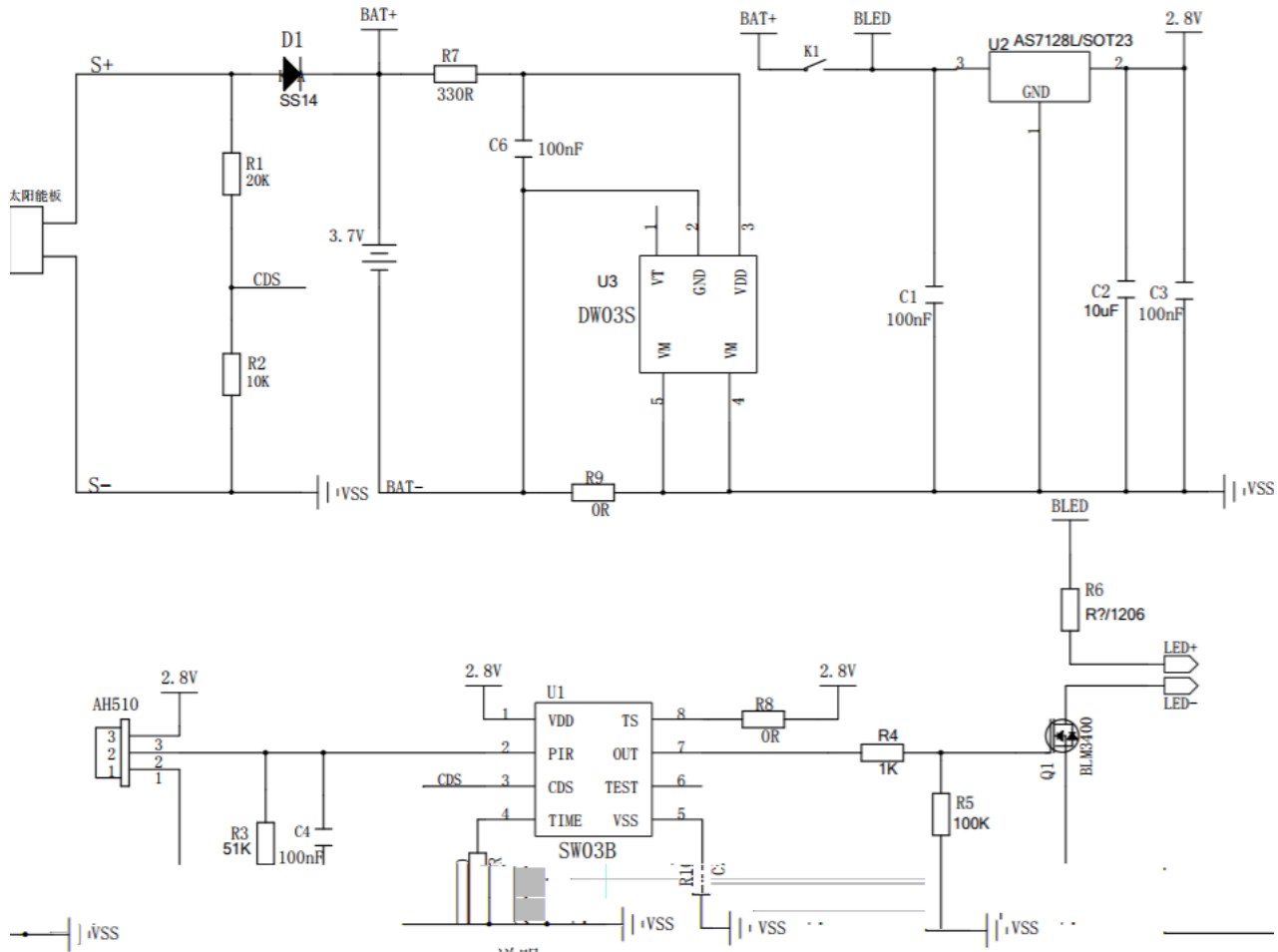
1	VDD	
2	PIR	PIR
3	CDS	CDS 0.33V IC PIR PIR 0.2V IC PIR R2
4	TIME	20s VSS 15s
5	VSS	
6	TEST	5S VSS 1S
7	OUT	PIR
8	TS	VDD

	V _{DD}	2.4	2.8	3.6	V	—
PIR	I _{DD}		20		uA	VDD = 2.8V
PIR	I _{DD}		200		uA	VDD = 2.8V
V _{OUT}	I _{OH}			10	mA	VDD = 2.8V V _{OL} = 0.3V
	Temp.	-40	25	85		—
	Temp.	-65	25	150		—

PIR
SW03B-V9

SOP8





说明:

1: 4脚悬空时延时20S, 接地为15S

2: 7脚输出, 负载电流小时用三极管时只接R4

3: 7脚输出, 负载电流比较大时用MOS管, R4短接, 只接R8

4: 6脚悬空正常感应模式, 接地为测试模式, 热机5S, 感应输出

5: 8脚悬空为感应与微音模式, 8脚接VDD为感应微音模式

6: 接锂电保护DW03S时, R9不接, 不使用锂电保护时, R9接OR

1 PIR SENSER SW03B-V

2 PCB

3

4