

PIR
<b>AS084-SD1</b>

**IC**

AS084-SD1 CMOS PIR Passive Infra-Red  
Mixed-mode  
AS084-SD1 PIR

PIR

2

SOP8

RoHS

SONY SS-00259 Apple

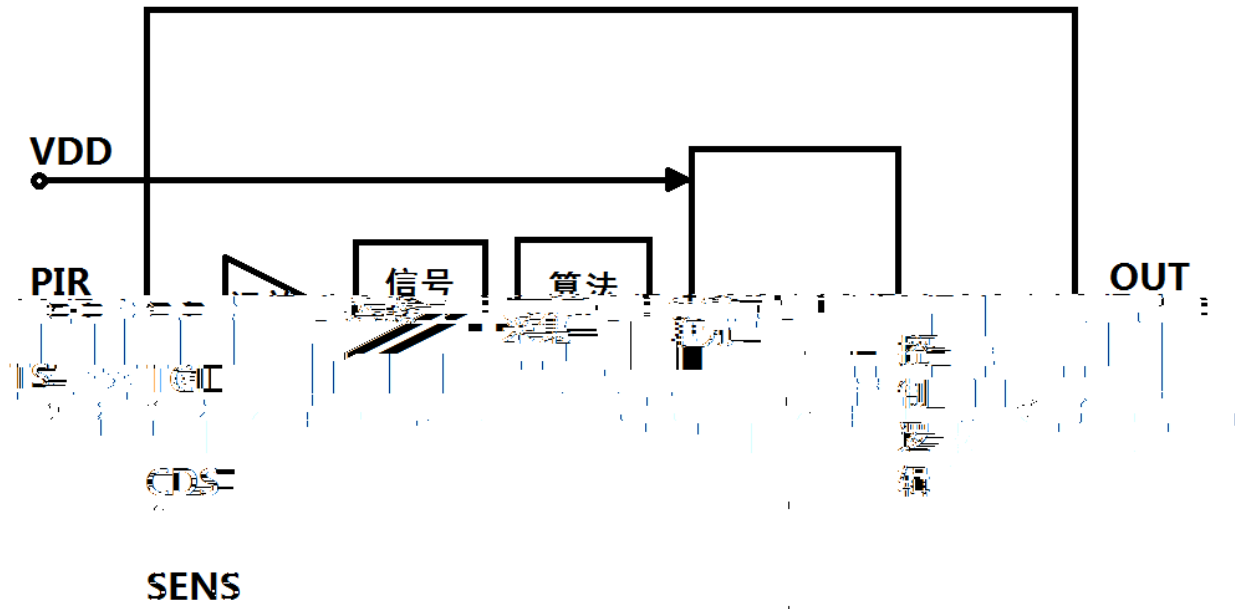
069-1857 Dell A00-00 ã

AS084-SD1TT3 1 Tf1 0 TDp003>51029df060d1238e112/TT2330d66547f6014340a4fa2612fadf31

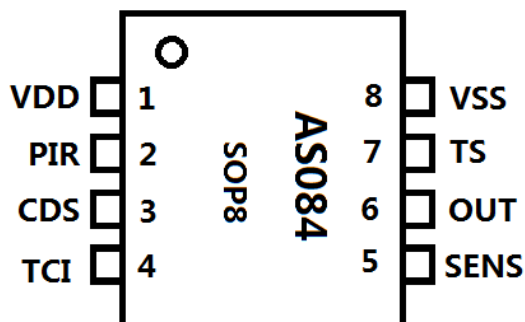
PIR
<b>AS084-SD1</b>

IC

IC



AS084-SD1



**IC**

1	VDD	
2	PIR	PIR
3	CDS	CDS 1.0V IC 1.0V IC R2 R2
4	TCI	AS084-SD1
5	SENS	2.4V~2.8V 0V 3.0V
6	OUT	15
7	TS	TCI TS VSS TCI TS 13
8	VSS	

	V <sub>DD</sub>	2.4	3.3	3.6	V	—
	I <sub>DD</sub>		195		uA	VDD = 3.3V TS
V <sub>OUT</sub>	I <sub>OH</sub>			10	mA	VDD = 3.3V V <sub>OL</sub> = 0.3V
	Temp.	-40	25	85		—
	Temp.	-65	25	150		—

**IC**

---

**IC**

---

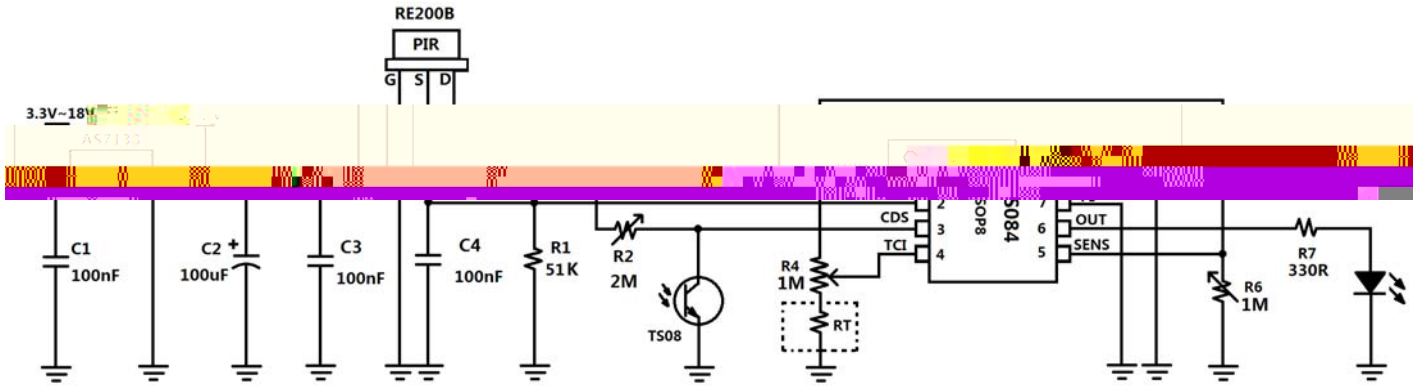
**TS**

**R4**

**13**

R4	
	1
2M	1
1M	5

IC



TS VSS R4

TCI		TCI	VDD	600	
TCI		TCI	VSS	2	
	T			$RT = R4 * T / 512 - T$	RT
	10	RT	$1M * 10 / 512 - 10$	$= 20K$	

1 PIR SENSER AS084-SD1

2 PCB

3

4