

RDW037-F

3.7GHz

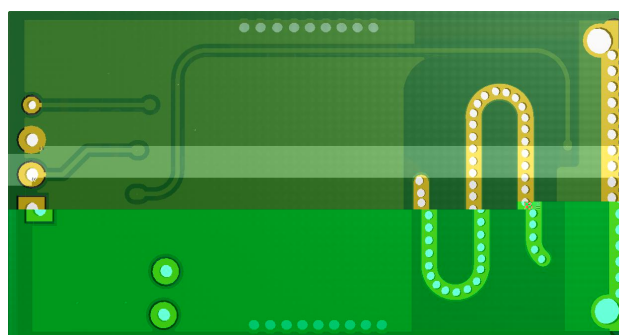
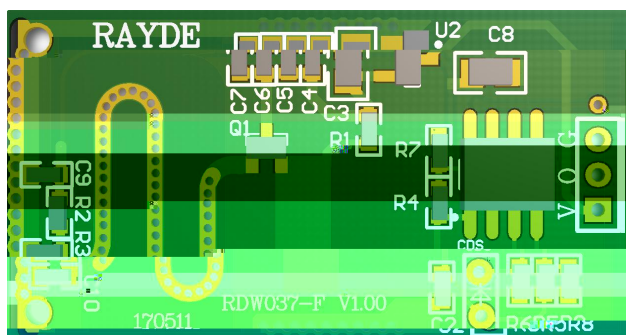
6~8

-40 ~ +85

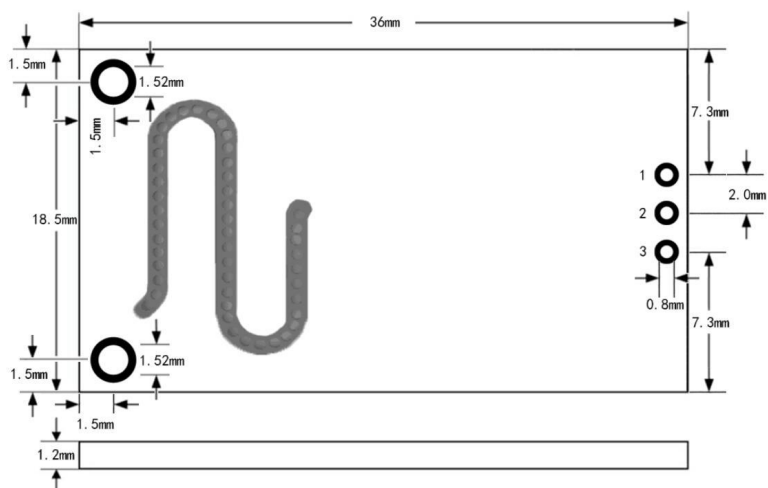
PWM

RoHS

LED



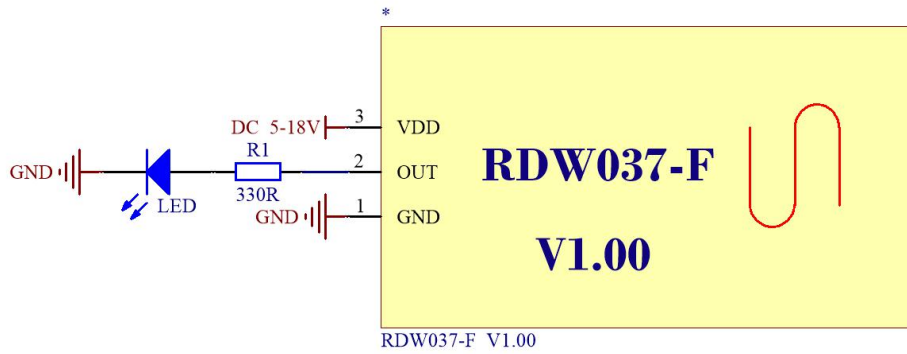
RDW037-F



- 1.GND
- 2.OUT
- 3.VDD

1	GND	
2	OUT	
3	VDD	5~18V

	V _{DD}	5	-	18	V	—
	I _{DD}		2		mA	VDD =4.4V
V _{OUT}	I _{OH}			10	mA	—
	Temp.	-40	25	85		—
	Temp.	-40	25	100		—
	F		3.78G		Hz	—
	D		360			—
OUT	V _{OH}		4.4		V	—
OUT	V _{OL}	0			V	—



2.2V

IC

R6

2.2V

IC

R6

R8	Ω	
		1
2M		1
1M		5
910K		10
820K		15
750K		20
680K		30
560K		45
470K		60
390K		90
300K		120
200K		180
100K		300
0		480

